

Horizon Mirror



EN Installation instruction

ZH 安装说明



EN



Two people are required for assembly.
No liability whatsoever can be accepted for incorrect assembly!



According to GB 24977-2010
All wood based materials comply with emission class E1



Please note:
Leave electrical connections to an expert. Observe the protection regulations of country in question.

For indoor use only!

Turn off electricity at mains before commencing work!

To avoid hazards, only the manufacturer, their service representative or similar qualified person may replace the external flexible cable on this lamp in the case of damage. The light source of this lamp is not replaceable. If the light source has to be replaced (e.g. at the end of its service life), the entire lamp must be replaced. Do not allow young children (aged 0 to 8 inclusive) to use furniture with electronic parts. This furniture may be used by people (including children) with reduced physical, sensory or mental capabilities or a lack of experience and/or knowledge, provided they are supervised or instructed on safe use, and have understood the possible dangers.

Warning!

Touching live parts can lead to severe injury and even death.



Taking out of service

- Recycle electronic equipment, or dispose of in the proper manner
- Do not dispose of electronic equipment in household waste
- Observe local regulations

Electronic equipment may only be repaired and taken out of service by an electrician.

Procedure for taking out of service

- Switch off mains power to the cable and secure so that it cannot be switched back on
- Unplug the cable connections
- Disconnect and remove electronic components

ZH

组装必须由两个人执行。
对于安装不专业的情况，我们将拒绝承担任何责任！

本产品符合 GB 24977-2010
所采用的板材等级为E1级

注意：
安装及连接必须按照相关国家现行有效的安装规定由获得许可的专业人员完成。

仅供室内使用！

开始作业前断开电源！

为避免危险，本灯具受损的外部柔性导线仅可由制造商、其售后服务代表或同类专业人员更换。

该灯的光源不可更换。

如果需要更换光源（例如，在使用寿命结束时），则必须更换整个照明设备。

儿童（0至8岁且包含8岁的人员）不得使用带有电气部件的家具。身体、感知或精神能力下降的人士或缺乏经验及/或知识的人士（包括儿童）可在他人照看情况下或在经过安全使用培训并了解使用潜在风险的情况下使用此类家具。

警告！

触碰导电部件可能导致重伤，甚至死亡。

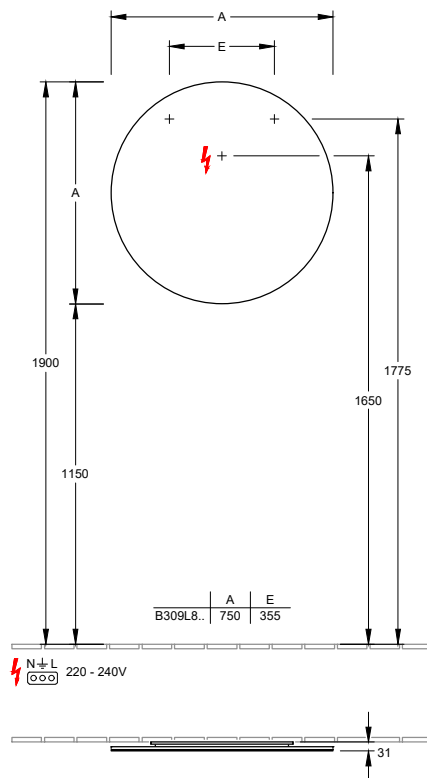
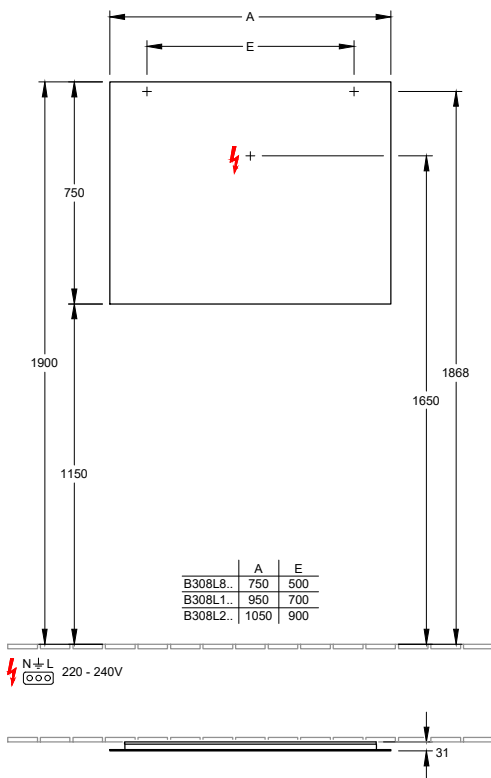
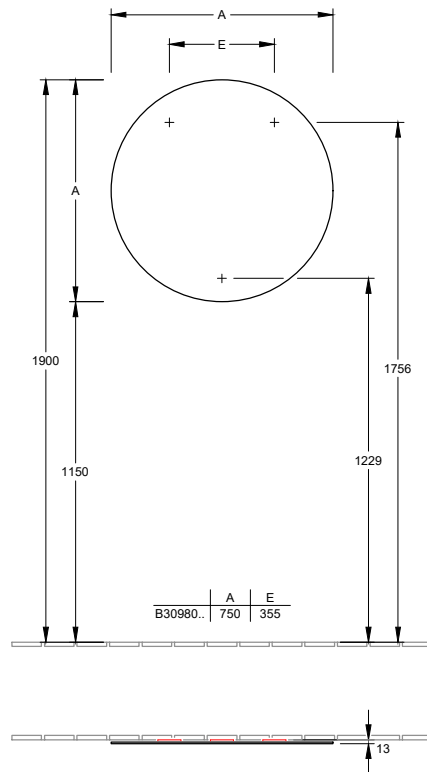
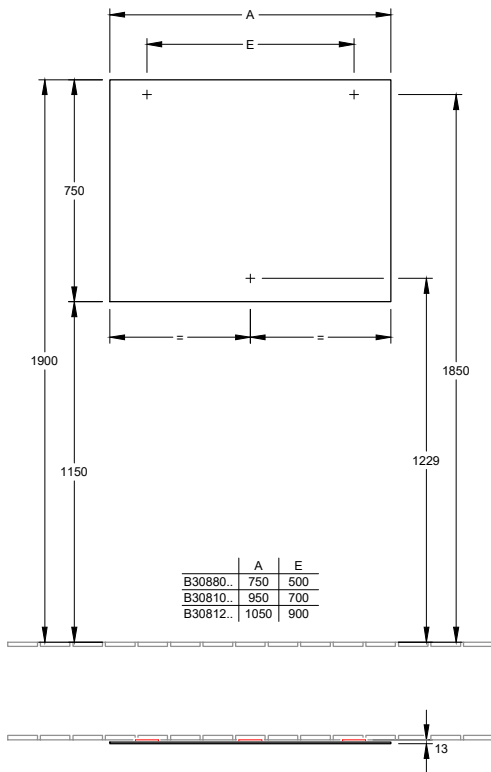
停止运行

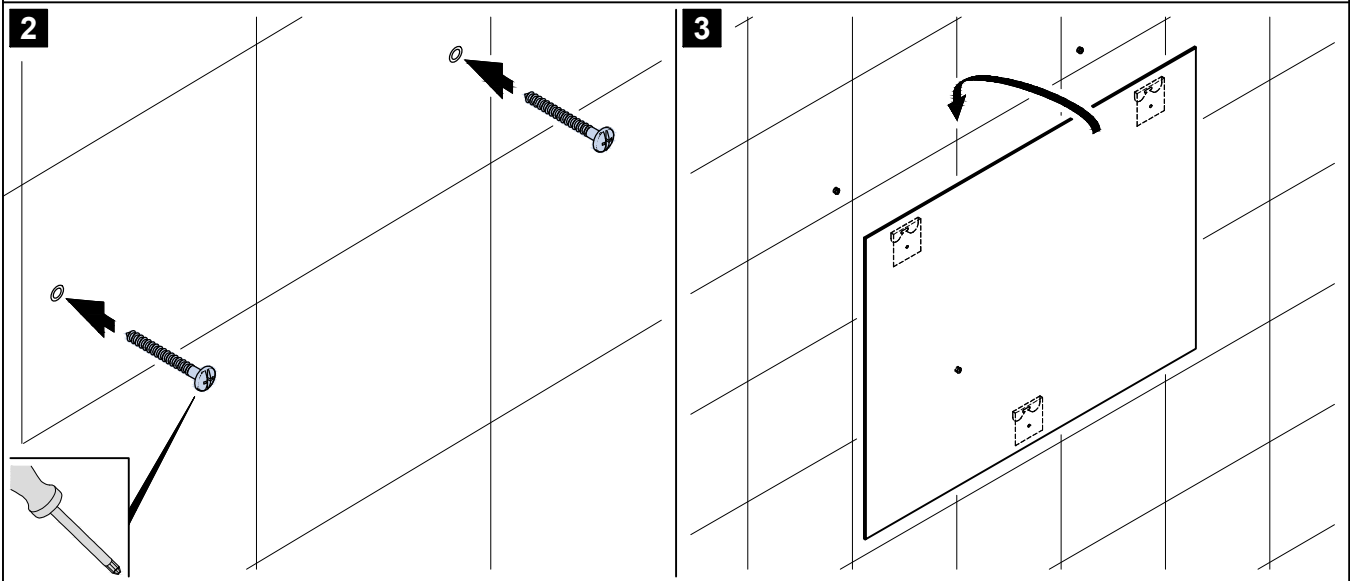
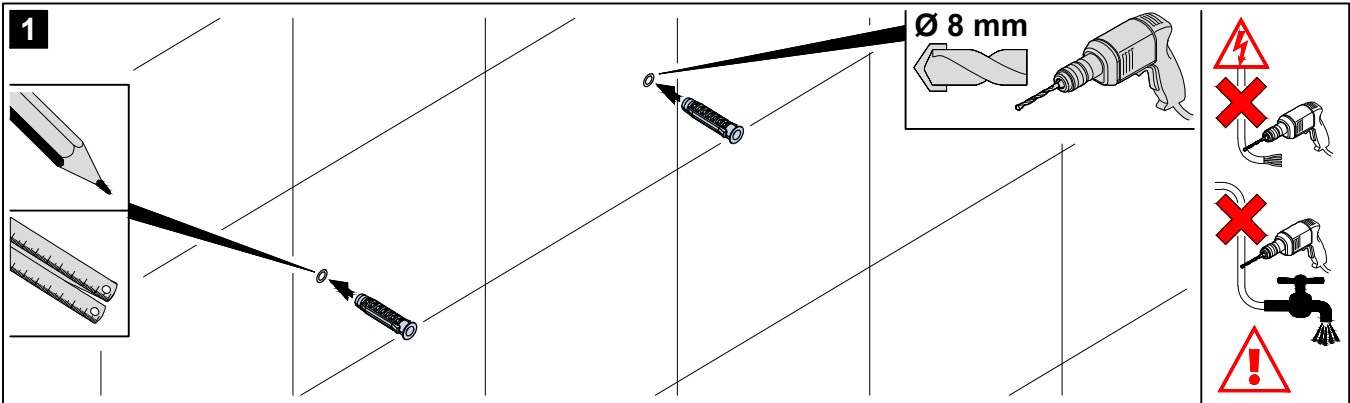
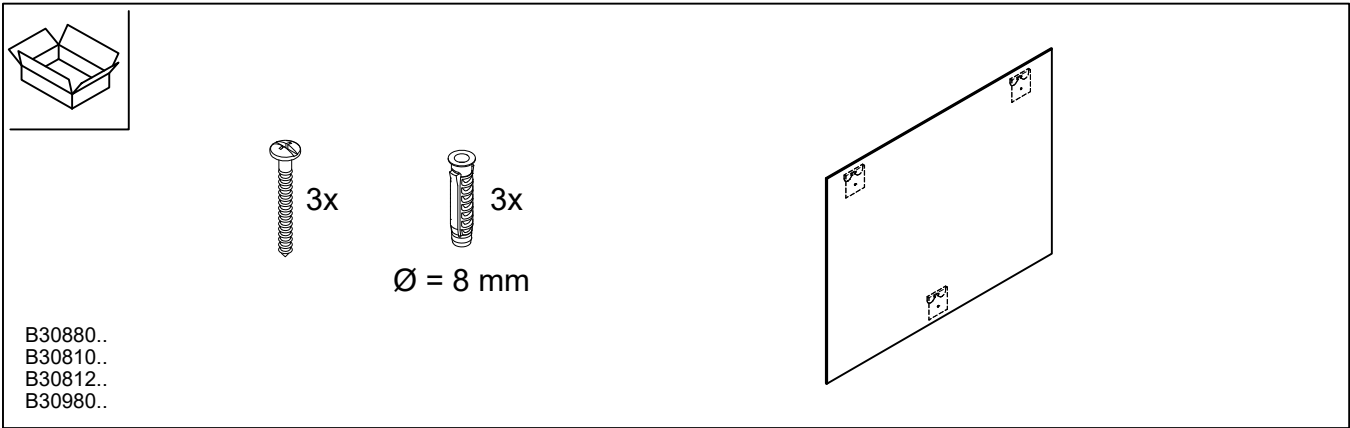
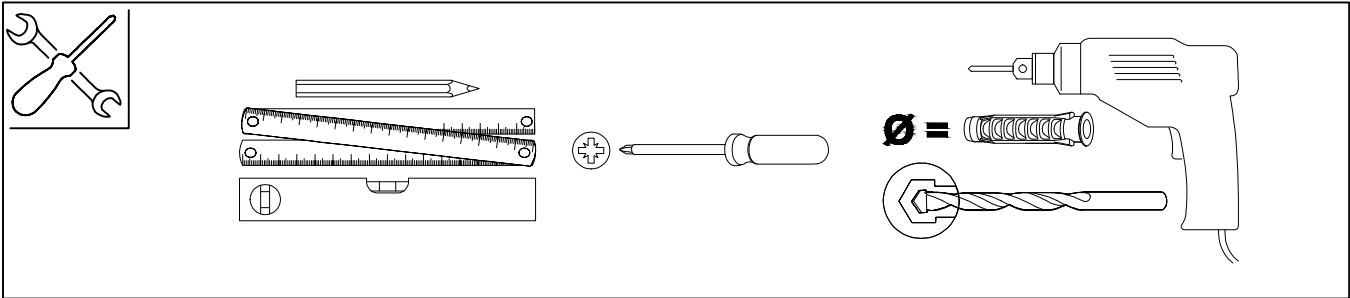
- 回收利用电器或正确处置它们
- 不得将电气设备作为家庭垃圾废弃处理
- 遵守当地现行有效的规定

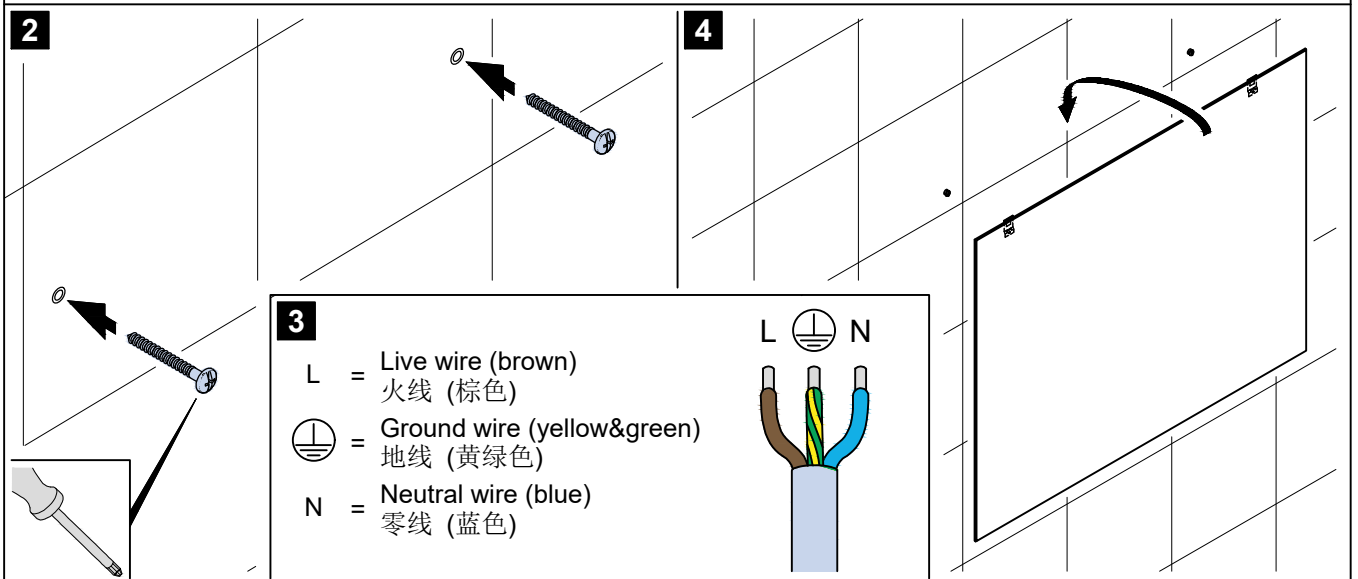
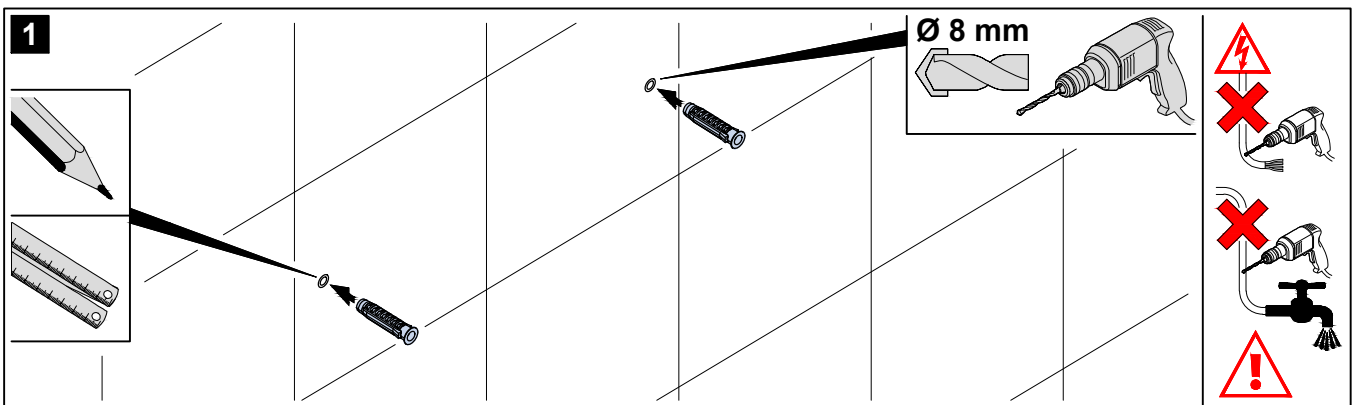
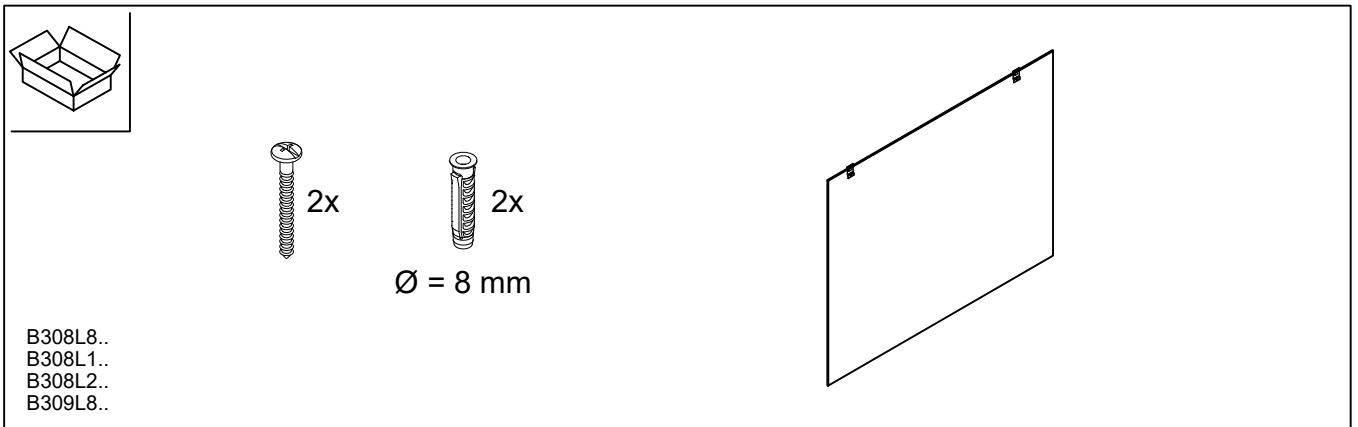
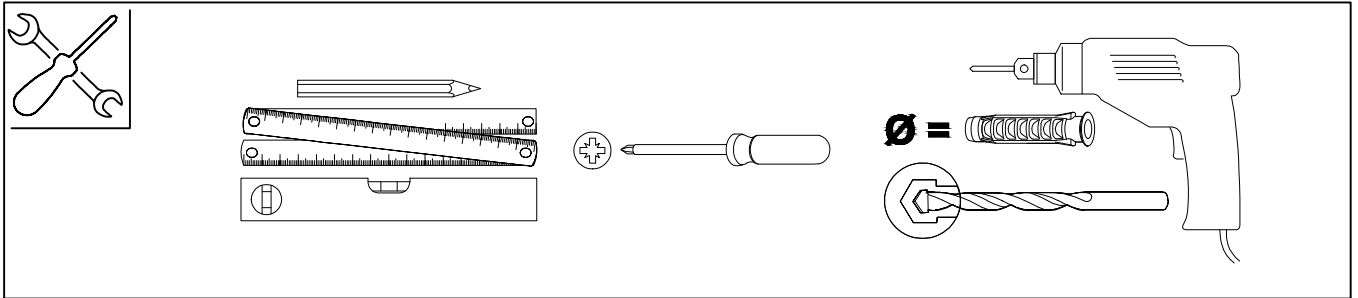
停止运行及维修工作应由专业电工执行。

停止运行的处理方式

- 断开导线的电源并确保不会重启
- 松脱电缆连接
- 松脱并移除电子组件







VILLEROY & BOCH

CHINA

Villeroy & Boch Trading (Shanghai) Co., Ltd.
10F, No8, Lane 555, Gu Bei Road, Chang Ning District
200051 Shanghai, China

Phone: +86 21 400 820 1748

Email: info.china@villeroy-boch.com